

LTB331

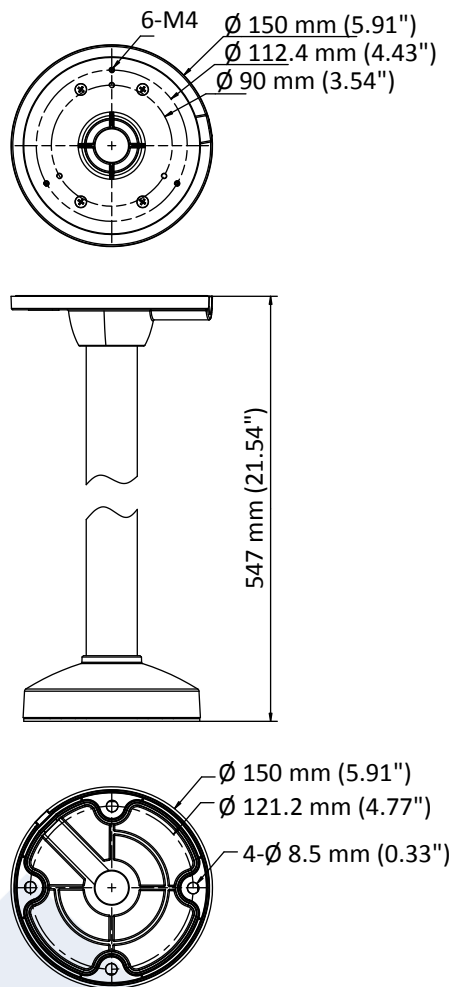
Pendant Mount

Feature

- Aluminum alloy and steel material with surface spray treatment
- For indoor or outdoor installation
- Cap designed for convenient wiring



Dimension



Parameters

Material	Aluminum Alloy and Steel
Dimension	Ø 150 mm × 547 mm (Ø 5.91" × 21.54")
Weight	Approx. 1110 g (2.45 lb.)

Notes

- The mount should be installed on flat surface.
- Waterproof rubber is necessary for outdoor application.
- The wall must be capable of supporting over 3 times the total weight of the camera and the mount.
- The maximum load capacity of the mount is 3 kg (6.61 lb.).